

Horizontal Dual-Monitor Stand - Silver



Actual product may vary from photos

User Manual

SKU#: ARMDUOSS

Compliance Statements

Use of Trademarks, Registered Trademarks, and other Protected Names and Symbols

This manual may make reference to trademarks, registered trademarks, and other protected names and/or symbols of third-party companies not related in any way to StarTech.com. Where they occur these references are for illustrative purposes only and do not represent an endorsement of a product or service by StarTech.com, or an endorsement of the product(s) to which this manual applies by the third-party company in question. Regardless of any direct acknowledgement elsewhere in the body of this document, StarTech.com hereby acknowledges that all trademarks, registered trademarks, service marks, and other protected names and/or symbols contained in this manual and related documents are the property of their respective holders.

PHILLIPS® is a registered trademark of Phillips Screw Company in the United States or other countries.

Safety Statements

- Product installation and/or mounting should be completed by a certified professional as per the local safety and building code guidelines.
- Cables (including power and charging cables) should be placed and routed to avoid creating electric, tripping or safety hazards.

Mesures de Sécurité

- L'installation et/ou le montage du produit doit être réalisé par un professionnel certifié et dans le respect des normes locales et du code de construction local.
- Les câbles (y compris les câbles d'alimentation et de chargement) doivent être placés et acheminés de façon à éviter tout risque électrique, de chute ou de sécurité

安全対策

- 製品の設置やマウントは、使用地域の安全ガイドラインおよび建築基準に従い、有資格の専門業者が行うようにしてください。
- ケーブル(電源ケーブルと充電ケーブルを含む)は、適切な配置と引き回しを行い、電気障害やつまづきの危険性など、安全上のリスクを回避するようにしてください。

Misure di Sicurezza

- L'installazione e/o il montaggio dei prodotti devono essere eseguiti da un tecnico professionale certificato che conosca le linee guida locali sulle norme edilizie e sulla sicurezza.
- I cavi (inclusi i cavi di alimentazione e di ricarica) devono essere posizionati e stesi in modo da evitare pericoli di inciampo, rischi di scosse elettriche o pericoli per la sicurezza.

Säkerhetsåtgärder

- Installation och/eller montering får endast göras av behöriga yrkespersoner och enligt gällande lokala förordningar för säkerhet och byggnormer.
- Kablar (inklusive elkablar och laddningskablar) ska dras och placeras på så sätt att risk för snubblingsolyckor och andra olyckor kan undvikas.

Warning Statements

- Make sure to assemble this product according to the instructions. Failure to do so might result in personal injury or property damage.
- Make sure that the weight of the monitors doesn't exceed the weight capacity of this product. If you exceed the weight capacity, you might experience personal injury or damage to the equipment. This product can support the following weight: 17.6 lb. (8 kg) per monitor mount.
- Never operate this product if parts are missing or damaged.

Varningsmeddelanden

- Se till att du monterar produkten i enlighet med instruktionerna. Om du inte gör det kan skada på person eller egendom uppstå.
- Se till att skärmens vikt inte överstiger produktens viktkapacitet. Om viktkapaciteten överstigs kan skada på person eller utrustning uppstå. Denna produkt har stöd för följande vikter: 8 kg per skärm.
- Använd aldrig produkten om delar saknas eller är skadade.

Avertissements

- Assemblez ce produit conformément aux instructions. Si vous ne respectez pas ces instructions, vous risquez de vous blesser ou d'endommager l'équipement.
- Vérifiez que le poids du moniteur ne dépasse pas la capacité pondérale du produit. Si vous dépassez la capacité pondérale, vous risquez des blessures corporelles ou des dommages matériels. Ce produit peut supporter 8 kg par 'écran.
- N'utilisez pas ce produit si des pièces sont endommagées ou manquantes.

Warnhinweise

- Montieren Sie dieses Produkt gemäß den Anweisungen. Anderenfalls kann dies zu Verletzungen von Personen oder Schäden an Eigentum führen.
- Das Gewicht des Monitors darf die zulässige Traglast des Produkts nicht übersteigen. Wenn die Traglast überschritten wird, kann dies zu Verletzungen von Personen oder Schäden an Geräten führen. Dieses Produkt ist für folgendes Gewicht geeignet: 8 kg per monitor.
- Das Produkt darf nicht bedient werden, wenn Teile fehlen oder beschädigt sind.

Dichiarazioni di Avvertenza

- Assemblare il prodotto rispettando le istruzioni. Il mancato rispetto delle istruzioni potrebbe causare danni a persone o proprietà.
- Verificare che il peso del monitor non superi la capacità di supporto del prodotto. In caso di superamento della capacità di supporto potrebbero verificarsi danni a persone o apparecchiature. Il prodotto è in grado di supportare i seguenti pesi: 8 kg per monitor.
- Non utilizzare il prodotto in presenza di parti mancanti o danneggiate.

Mensagens de Aviso

- Certifique-se de que monta este produto de acordo com as instruções. O incumprimento pode resultar em ferimentos pessoais ou danos de propriedade.
- Certifique-se de que o peso do monitor não excede a capacidade de peso deste produto. Se exceder a capacidade de peso, pode sofrer ferimentos pessoais ou danos no equipamento. Este produto pode suportar o seguinte peso: 8 kg por monitor.
- Nunca opere este produto se faltarem peças ou estas estiverem danificadas.

Advertencias de Uso

- Asegúrese de ensamblar este producto según las instrucciones. De lo contrario, pueden producirse lesiones personales o daños de propiedad.
- Asegúrese de que el peso del monitor no exceda la capacidad de carga de este producto. Si se excede dicha capacidad se podrían producirse lesiones personales o daños al equipo. Este producto tiene capacidad para el siguiente peso: 8 kg por monitor.
- Nunca opere o ponga en funcionamiento este producto si faltan piezas o hay daños en las mismas.

Waarschuwingen

- Zorg dat dit product volgens de instructies in elkaar wordt gezet. Indien dit niet goed gebeurt kan lichamelijk letsel of materiële schade ontstaan.
- Zorg dat het gewicht van het scherm de maximale capaciteit van dit product niet overschrijdt. Als u de gewichtscapaciteit overschrijdt, kan persoonlijk letsel of schade aan de apparatuur ontstaan. Dit product ondersteunt het volgende gewicht: 8 kg per monitor.
- Gebruik dit product nooit als er onderdelen ontbreken of beschadigd zijn.

注意

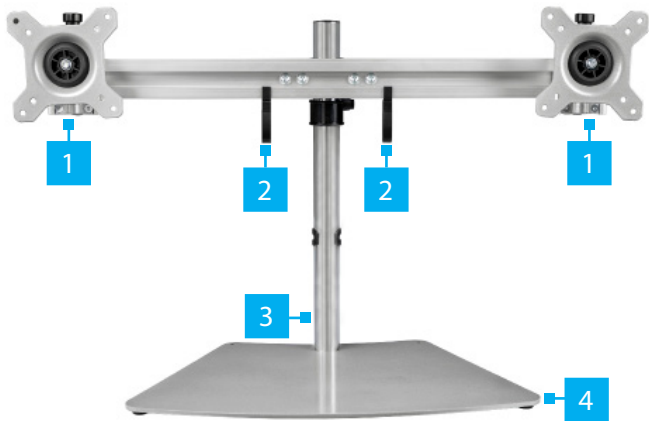
- 必ず取扱説明書に従って本製品の組み立てを行って下さい。取り扱いを誤った場合に、傷を負う恐れや物的損害が発生する恐れがあります。
- 取り付けるモニターの重量が、本製品で定められた最大積載重量を超えないようにして下さい。最大積載重量をオーバーした場合、傷を負う恐れやモニターや本製品に損害が発生する恐れがあります。本製品は、モニター1台あたり10kgまで支持できます。
- 本製品で使用している部品の一部が紛失していたり損傷している状態で使用するのには絶対に止めて下さい。

Table of Contents

Compliance Statements	i
Safety Statements	ii
Warning Statements	iii
Product Diagram	1
Front View	1
Rear View	2
Product Information	4
Package Contents	4
Assembly	5
Assemble the Base	5
Attach the Crossbar	6
Attach the Monitors	8
Adjusting the Monitors	10
Tilt Adjustment	10
Rotation Adjustment	11
Adjusting the VESA Mount	11
Route the Cables	12
Warranty Information	14

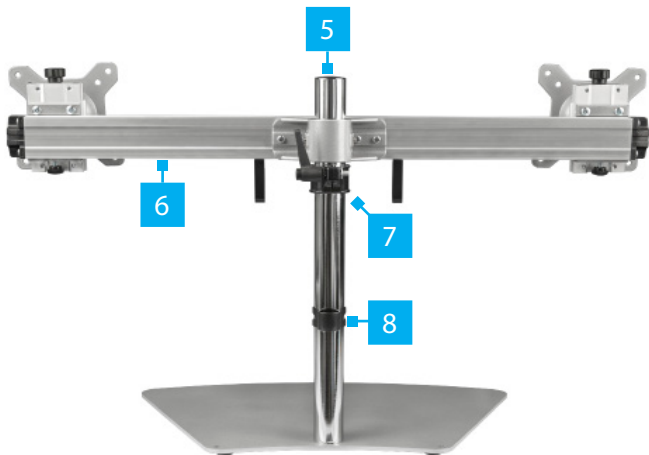
Product Diagram

Front View



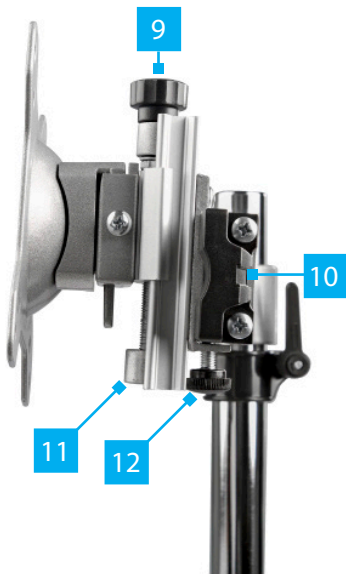
1	<i>VESA Monitor Mount</i>
2	<i>Cable-Management Clip (Crossbar)</i>
3	<i>Pole</i>
4	<i>Baseplate</i>

Rear View



5	<i>Pole Cap</i>
6	<i>Crossbar</i>
7	<i>Height-Adjustment Ring</i>
8	<i>Cable-Management Clip (Pole)</i>

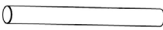


Side View



9	<i>Height-Adjustment Screw</i>
10	<i>End Cap</i>
11	<i>Plate</i>
12	<i>Thumbscrew</i>

Product Information

Package Contents

1  Pole Qty: One	2  Baseplate Qty: One	3  M6x15 mm Screws Qty: Three	4  Cable- Management Clip (Pole) Qty: One
5  Pole Cap Qty: One	6  Height- Adjustment Ring Qty: One	7  Crossbar Qty: One	8  VESA Monitor Mounts Qty: Two
9  M4x12 mm Screws Qty: Eight	10  M4x30 mm Screws Qty: Eight	11  Plastic Spacers Qty: Eight	12  M3 Hex key Qty: One
13  M4 Hex Key Qty: One	14  M5 Hex Key Qty: One	15  Cable- Management Clips (Crossbar) Qty: Two	16  User Manual Qty: One

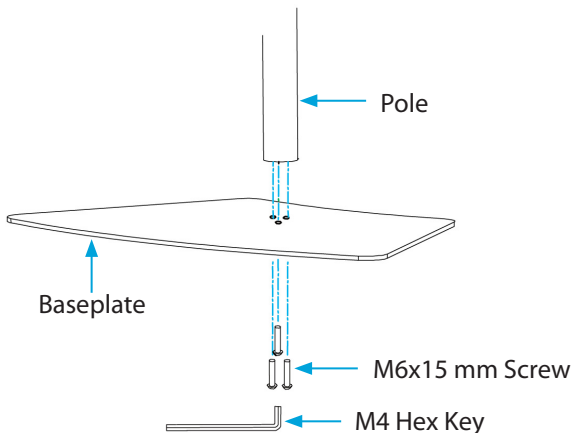
Assembly

Warning! Make sure that all of the hardware is assembled securely and checked for stability before you load the monitors.

Assemble the Base

1. Insert the **M6x15 mm Screws** through the three holes in the **Baseplate** and into the **Pole** (Figure 1).
2. Use the **M4 Hex Key** and turn the **M6x15 mm Screws** clockwise to tighten.

Figure 1



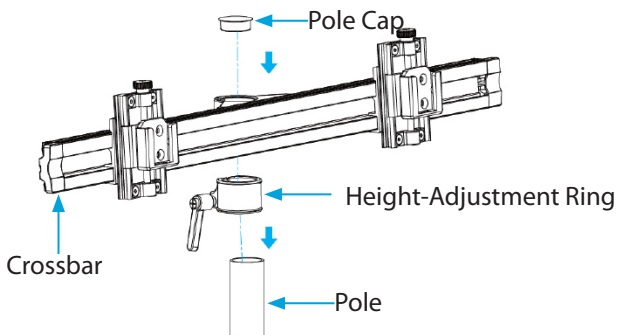
Attach the Crossbar

1. Slide the **Height-Adjustment Ring** down the **Pole** to the desired height.

Note: The **Height-Adjustment Ring** uses a ratchet-style fastening system. Pull the **Lever** outward to adjust the position of the **Lever** without affecting the tension on the screw. This feature will help with tightening the **Ring** when it is in contact with the **Crossbar**.

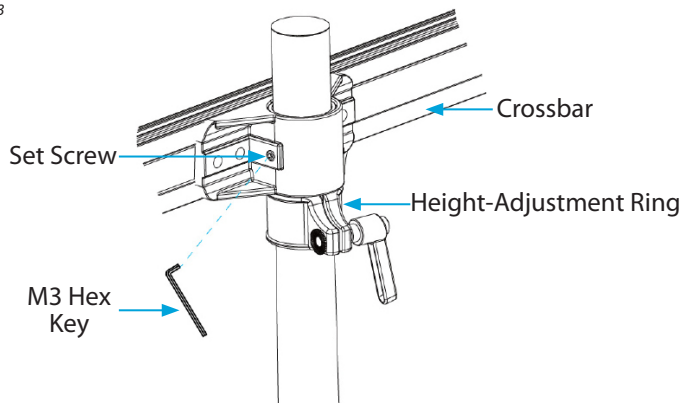
2. Rotate the **Lever** on the **Height-Adjustment Ring** clockwise to tighten it and prevent it from sliding down the **Pole**.

Figure 2



3. Slide the **Crossbar** down the pole so that it sits on the **Height-Adjustment Ring**.
4. Push the **Pole Cap** down into the top of the **Pole** (Figure 2).
5. Use the **M3 Hex Key** and turn the **Set Screws** in the **Crossbar** clockwise to tighten it and prevent it from moving (Figure 3).

Figure 3

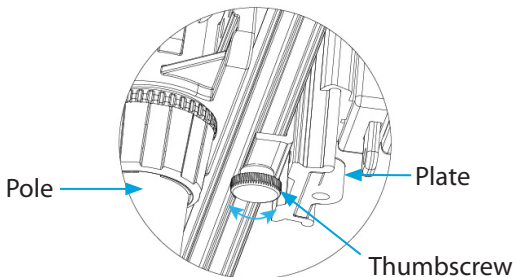


Attach the Monitors

Warning! ARMDUOSS is designed to display two **Monitors** between 15 and 24 inches in size. The maximum weight capacity of ARMDUOSS is a total of 35.2 lb. (16 kg), with each **Monitor Mount** able to hold 17.6 lb. (8 kg).

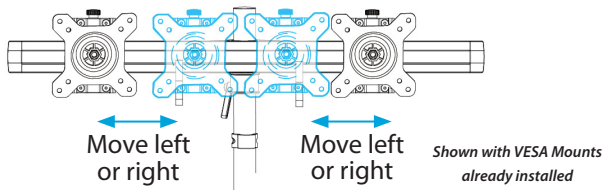
Note: To prevent scratching during the installation process, you should handle the surface of the **Monitors** with care.

Figure 4



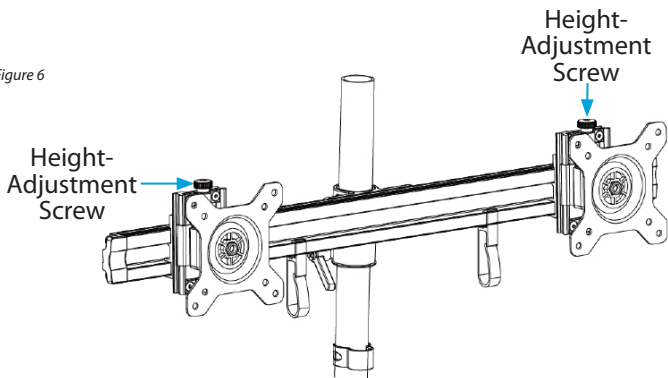
1. To loosen the **Plates** on the **Crossbar**, turn the **Thumbscrews** at the bottom of the **Plates** counterclockwise.

Figure 5



2. Move the **Plates** right or left until they're in the desired position (Figure 5).
3. To secure the **Plates** in place on the **Crossbar**, turn the **Thumbscrews** at the bottom of the **Plates** clockwise.
4. To move the **VESA Monitor Mounts** up or down, turn the **Height-Adjustment Screws** at the top of the **Plates** counterclockwise or clockwise (Figure 6).

Figure 6



5. Do one of the following:

- To install **Monitors** that have a flush installation surface, insert four of the **M4x12 mm Screws** through the **VESA Monitor Mount** and into the **Mounting Holes** on the back of the **Monitor**. Use a **Phillips Head Screwdriver** to tighten the **Screws** (Figure 7).
- To install **Monitors** that have a recessed installation surface, insert four of the **M4x30 mm Screws** through the **VESA Monitor Mount**, into four of the **Plastic Spacers** and into the **Mounting Holes** on the back of the **Monitor**. Use a **Phillips Head Screwdriver** to tighten the **Screws** (Figure 8).

Warning! Do not over-tighten the **Screws**. If you encounter resistance while you're tightening the **Screws**, stop tightening. Failure to do so could result in damage to the **Monitors**.

6. Slide each of the **VESA Monitor Mounts** into the **Plates** on the **Crossbar**.

Warning! Lifting and moving ARMDUOSS is a two-person job. Do not attempt to complete this task by yourself.

Tipping hazard! ARMDUOSS is free-standing and when you attach **Monitors** to it, you increase the tipping hazard.

7. Turn the **Screw** on the side of each of the **VESA Monitor Mounts** clockwise to tighten the **VESA Monitor Mounts** in place.

Figure 7

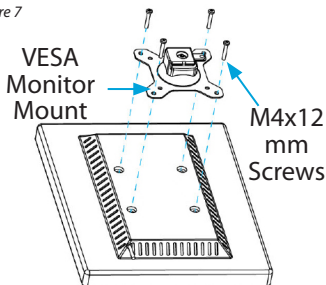
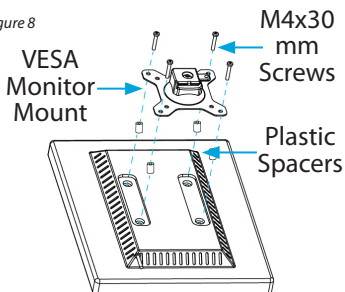


Figure 8



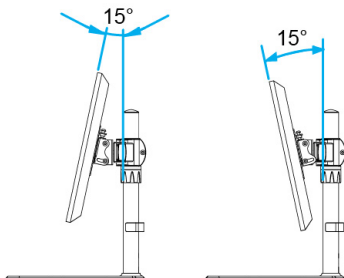
Adjusting the Monitors

Tilt Adjustment

The **Monitor**s can be tilted to accommodate different viewing angles (15 degrees downward or upward).

- Place both of your hands on either side of the **Monitor** and apply light pressure either downward or upward. The **Monitor** will tilt to a maximum of 15 degrees in either direction (*Figure 9*).

Figure 9



Rotation

The **Monitors** can be adjusted on a 360-degree rotation.

- Place both of your hands on either side of the **Monitor** and apply light pressure either left or right. The **Monitor** will rotate 360 degrees.

Adjusting the VESA Mount

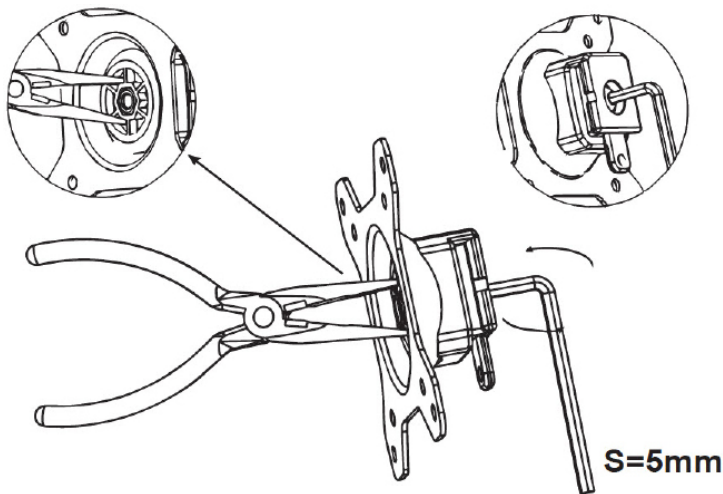
If the **Monitors** are not staying in place, the **Hex Screw** on the back of the **VESA Monitor Mount** will need to be tightened. This **Hex Screw** may also need to be loosened in order to readjust the position of the **Monitors**.

1. Remove the **VESA Monitor Mount** from the **Plate** by turning the **Screw** on the side of each of the **VESA Monitor Mounts** counterclockwise to loosen the **VESA Monitor Mounts**.
2. Lift the **Monitors** straight up and out of the **Plates**.
3. Place the **Monitors** screen side down on a scratch-free surface.
4. Remove the **Monitors** from the **VESA Monitor Mounts** by loosening all four **Screws** on each of the **VESA Monitor Mounts**, using a **Phillips Head Screwdriver**. Remove the **Screws**, the **VESA Monitor Mounts**, the **Washers** and any **Spacers** that may have been used for the installation.
5. Hold the **Plastic Disc** (located on the front of the **VESA Monitor Mount**) in place using **Needle-nose Pliers**. While holding the **Plastic Disc**, tighten the **Hex Screw**, located on the back of the **VESA Monitor Mount**, using the **M5 Hex Key**. (Figure 10)

Note: These **Hex Screws** can be loosened in order to adjust the position of the **Monitors**. Always tighten these **Hex Screws** immediately after adjusting the position of the **Monitors**. A second person may be required to hold the **Monitor** after adjusting its position.

6. Once the **Hex Screw** is tightened, re-attach the **VESA Monitor Mount**.

Figure 10



Route the Cables

ARMDUOSS comes with **Cable-Management Clips (Crossbar)** that you can use to direct the **Monitor Cables** along the **Crossbar** and down the **Pole** so that they are out of your way.

Note: Make sure that the **Cables** you are routing are unplugged before you complete the following steps.

1. Attach the two **Cable-Management Clips (Crossbar)** to the **Crossbar** (Figure 11). Each **Clip** snaps into place. If necessary, you can move the **Cable-Management Clips (Crossbar)** right or left along the **Crossbar**.
2. Run the **Cable** coming from each of the **Monitors** through the corresponding **Cable-Management Clips (Crossbar)** (Figure 12).

Figure 11

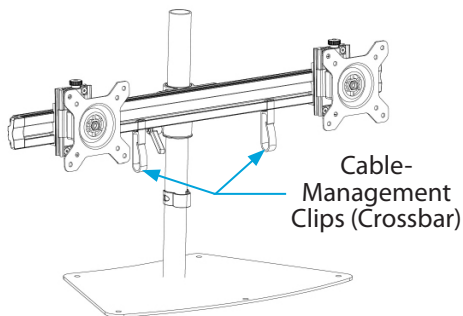
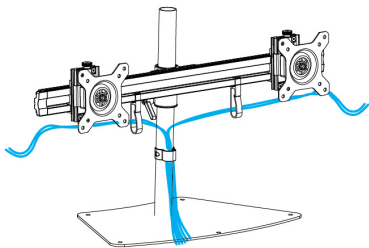


Figure 12



3. Hold the **Cables** against the **Pole** and snap the **Cable-Management Clip (Pole)** over the **Cables** and onto the **Pole**. You can place the **Cable-Management Clip (Pole)** on the front or back of the **Pole**, depending on your preference or setup.

Warranty Information

This product is backed by a five-year warranty.

For further information on product warranty terms and conditions, please refer to www.startech.com/warranty.

Limitation of Liability

In no event shall the liability of StarTech.com Ltd. and StarTech.com USA LLP (or their officers, directors, employees or agents) for any damages (whether direct or indirect, special, punitive, incidental, consequential, or otherwise), loss of profits, loss of business, or any pecuniary loss, arising out of or related to the use of the product exceed the actual price paid for the product.

Some states do not allow the exclusion or limitation of incidental or consequential damages. If such laws apply, the limitations or exclusions contained in this statement may not apply to you.

Hard-to-find made easy. At StarTech.com, that isn't a slogan. It's a promise.

StarTech.com is your one-stop source for every connectivity part you need. From the latest technology to legacy products — and all the parts that bridge the old and new — we can help you find the parts that connect your solutions.

We make it easy to locate the parts, and we quickly deliver them wherever they need to go. Just talk to one of our tech advisors or visit our website. You'll be connected to the products you need in no time.

Visit www.startech.com for complete information on all StarTech.com products and to access exclusive resources and time-saving tools.

StarTech.com is an ISO 9001 Registered manufacturer of connectivity and technology parts. StarTech.com was founded in 1985 and has operations in the United States, Canada, the United Kingdom and Taiwan servicing a worldwide market.

Reviews

Share your experiences using StarTech.com products, including product applications and setup, what you love about the products, and areas for improvement.

StarTech.com Ltd.

45 Artisans
Crescent
London, Ontario
N5V 5E9
Canada

StarTech.com LLP

4490 South
Hamilton Road
Groveport, Ohio
43125
U.S.A.

StarTech.com Ltd.

Unit B, Pinnacle 15
Gowerton Road
Brackmills,
Northampton
NN4 7BW
United Kingdom

StarTech.com Ltd.

Siriusdreef 17-27
2132 WT
Hoofddorp
The Netherlands

FR: fr.startech.com

DE: de.startech.com

ES: es.startech.com

NL: nl.startech.com

IT: it.startech.com

JP: jp.startech.com